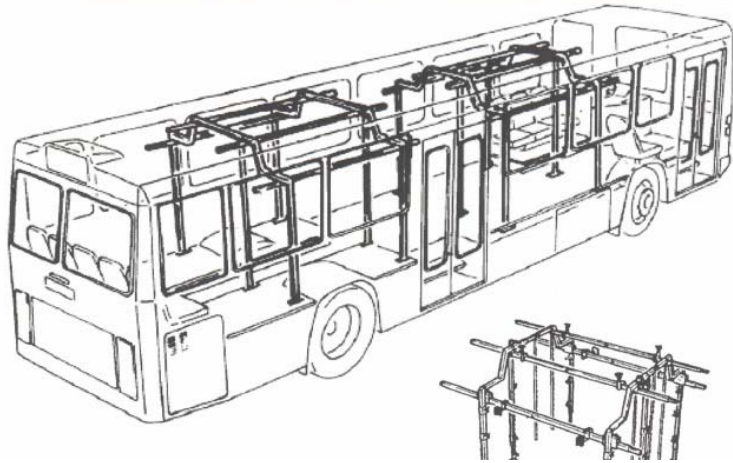


AMBUBUS - BUS STRETCHER CONVERSION KIT

A TURNKEY SOLUTION TO DISASTER PREPAREDNESS

The AmbuBus (Bus Stretcher Conversion Kit) from First Line Technology is an effective and efficient solution for mass evacuation and transport of special needs patients, casualties, and others who require non-ambulatory transport. Quickly and easily retrofit buses into mass casualty transport vehicles. With only 2 palletized Kits, convert an existing passenger bus into an Ambulance Bus capable of safely transporting 18 stretchers and IV's along with 6 operators and their medical support equipment. The ruggedized and palletized crate allows for quick and simple logistics for pre-positioning and emergency response. The kit is all-inclusive requiring no additional tools for assembly.



Users: Hospital Evacuation, Mass Casualty Transport

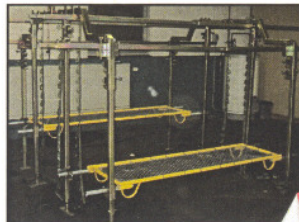
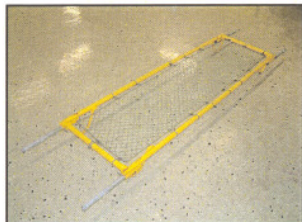


AMBUBUS - BUS STRETCHER CONVERSION KIT

- Each Kit Holds up to 9 Stretchers
- Integrates with Most Buses
- Low Maintenance Costs
- Long Shelf Life
- Ruggedized Crate
- Carries Stretchers, IVs, Accessories
- Accommodates Standardized Stretchers
- Assembles in 2 Hours
- Pictorial Instructions
- All Tools Included (No Power Tools Required)

AMBUSTRETCHER

The AmbuStretcher is a ruggedized stretcher for safe mass evacuation and transport of non-ambulatory patients and casualties. It is designed to connect directly into the AmbuBus System. The AmbuStretcher is made of steel for a long shelf-life and increased weight capacity. They are stackable for efficient storage and transport.



AMBUSTRETCHER ACCESORIES

- Sheets (reusable/disposable)
- Blankets
- Mattress Pads
- Moisture Pads
- Cooling Pads